

PIN

Design by Ichiro Iwasaki.

VIBIA
LIGHT IS CREATION

Reference

1660.

Application

Floor Lamps

Installation type

Surface

Description

Diffuser

Polycarbonate diffuser

Finish



1660-04.
Matt black
lacquer

1660-58.
Matt cream
lacquer

1660-62.
Matt green
lacquer

1660-93.
Matt white
lacquer

Sketch



Electrical characteristics

1 x LED 4,5W 350mA



Total 4.5 W



Physical characteristics

1 Box / 1.50 x 0.27 x 0.33 m. / Vol. 0.1308 m³ /
Gross weight 7.5 kg. / Net weight 3.8 kg.

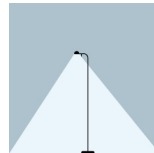
Installation and assembly

Please, see the installation manual

Light distribution

Reading

Lamp having a light beam whose main function is to supply sufficient light for reading.



Photometric data

Efficiency : 46.31%

Coordinate system : CG

Total flux : 449.94

Maximum value : 193.70

Light position : C=75.00 G=5.00

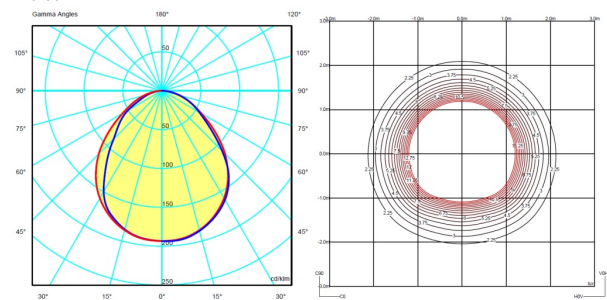
Symmetry on the planes : Symmetrical planes

270-90

Isolux : Floor

Light position :

X=0.00m Y=0.00m Z=1.25m



Certificates



PIN

Design by Ichiro Iwasaki.

VIBIA
LIGHT IS CREATION

Reference

1665.

Application

Floor Lamps

Installation type

Surface

Description

Diffuser

Polycarbonate diffuser

Finish



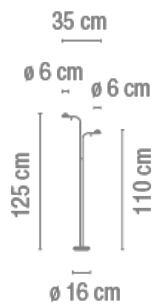
1665-04.
Matt black
lacquer

1665-58.
Matt cream
lacquer

1665-62.
Matt green
lacquer

1665-93.
Matt white
lacquer

Sketch



Electrical characteristics

2 x LED 4,5W 350mA



Total 9.0 W



Physical characteristics

1 Box / 1.50 x 0.27 x 0.33 m. / Vol. 0.1308 m³ /
Gross weight 8.3 kg. / Net weight 4.6 kg.

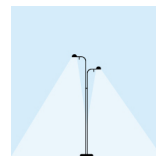
Installation and assembly

Please, see the installation manual

Light distribution

General lighting

Lamp for general lighting that equally distributes the light in all directions.



Photometric data

Efficiency : 46.30%

Coordinate system : CG

Total flux : 900.00

Maximum value : 190.85

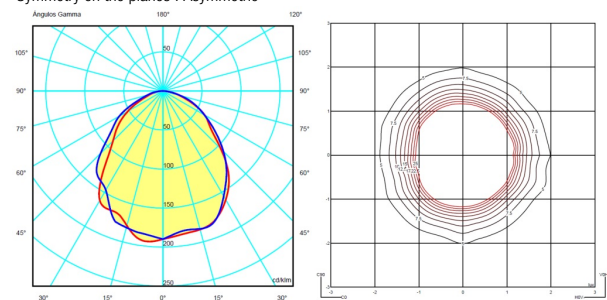
Light position : C=180.00 G=10.00

Symmetry on the planes : Asymmetric

Isolux : Floor

Light position :

X=0.00m Y=0.00m Z=1.10m



Certificates



PIN

Design by Ichiro Iwasaki.

VIBIA
LIGHT IS CREATION

Reference

1670.

Application

Floor Lamps

Installation type

Surface

Description

Diffuser

Polycarbonate diffuser

Finish



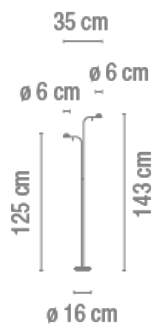
1670-04.
Matt black
lacquer

1670-58.
Matt cream
lacquer

1670-62.
Matt green
lacquer

1670-93.
Matt white
lacquer

Sketch



Electrical characteristics

2 x LED 4,5W 350mA



Total 9.0 W



Physical characteristics

1 Box / 1.50 x 0.27 x 0.33 m. / Vol. 0.1308 m³ /
Gross weight 8.5 kg. / Net weight 4.8 kg.

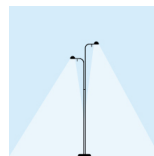
Installation and assembly

Please, see the installation manual

Light distribution

General lighting

Lamp for general lighting that equally distributes the light in all directions.



Photometric data

Efficiency : 46.30%

Coordinate system : CG

Total flux : 900.00

Maximum value : 190.85

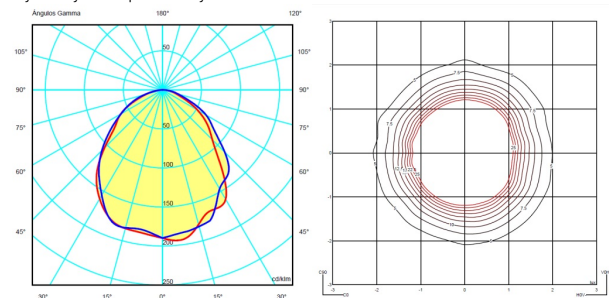
Light position : C=0.00 G=10.00

Symmetry on the planes : Asymmetric

Isolux : Floor

Light position :

X=0.00m Y=0.00m Z=1.25m



Certificates

