

Date

---

Name

---

Client

---

Project Name

---

Quote#

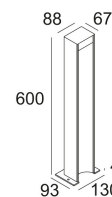
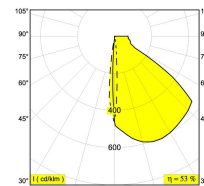
---

Type/Quantity

---

**AULA 60 WW**  
**318 17 4102**

[Weblink](#)



Available colors: GREY BROWN-WHITE (318 17 4102 G-W)

INCL.1 x POWERLED WHITE 6,2W / CRI>80 / 3000K / 703lm  
 INCL.1 x LENS  
 INCL.LED POWER SUPPLY 350mA-DC

LED Technics: Light source: 703 lm // 6 W // 113 lm/W  
 Luminaire: 374 lm // 7 W // 52 lm/W

220-240V / 50-60Hz

Class: II

Weight: 2.5 KG

Protection level: IP55

Minimum distance: n.a.

Options: PIN 15  
 CBOX  
 IP68 CONNECTION KIT  
 IP68 CONNECTOR 3P

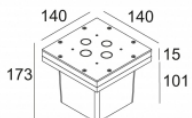
For detailed installation instructions, please consult the manual. [318\\_14\\_4102\\_02\\_HAND.pdf](#)

**AULA 60 WW**  
**318 17 4102**

**Related references**

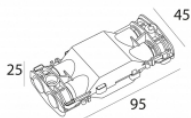
**WATERPROOF CONNECTION PARTS**

[Weblink / Specsheel](#)



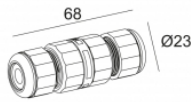
CBOX  
216 12 00

[Weblink / Specsheel](#)



IP68 CONNECTION KIT  
216 12 01

[Weblink / Specsheel](#)

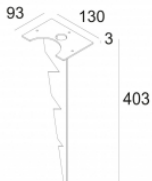


IP68 CONNECTOR 3P  
216 12 02

**Related references**

**PINS AND PLATES FOR BOLLARDS**

[Weblink / Specsheel](#)



PIN 15  
229 01 15

AULA 60 WW  
318 17 4102

## Project picture

