

Date

---

Name

---

Client

---

Project Name

---

Quote#

---

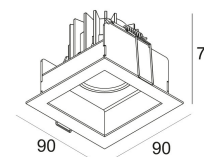
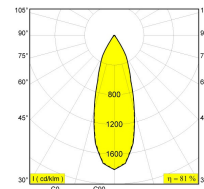
Type/Quantity


---

**CARREE X LED 3033 S1**

**202 20 28122**

[Weblink](#)



Cutout shape/size:  75 x 75 mm

Recessed depth (mm): 80 mm

Thickness of mounting surface: max.35

Available colors: ALU GREY (202 20 28122 A)  
DARK GREY (202 20 28122 N)

FIXED  
INCL.1 x POWERLED WHITE 7W / CRI>80 / 3000K / 680lm  
INCL.1 x REFLECTOR FL-33°  
INCL.PC CLEAR  
EXCL.LED POWER SUPPLY 350mA-DC

LED Technics: Light source: 680 lm // 7 W // 95 lm/W  
Luminaire: 551 lm // 8 W // 68 lm/W

Class: III

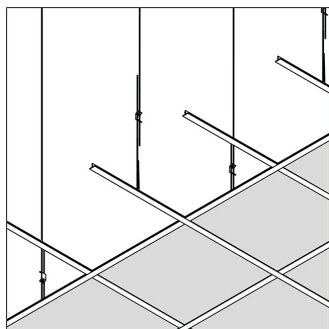
Weight: 0.2 KG  
Protection level: IP44/20-22/20  
Minimum distance: n.a.

Options: LED POWER SUPPLY 350mA-DC DIM

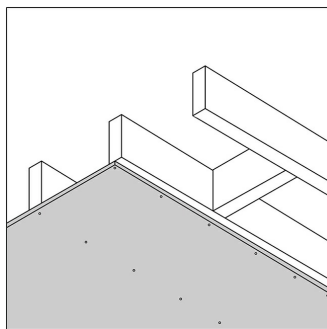
For detailed installation instructions, please consult the manual. [202 20 28122 HAND.pdf](#)

**CARREE X LED 3033 S1**  
202 20 28122

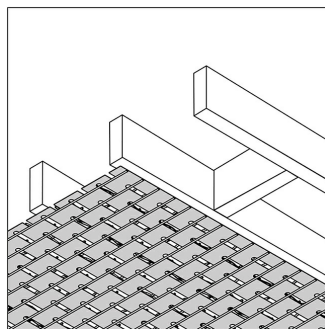
**Ceiling compatibility**



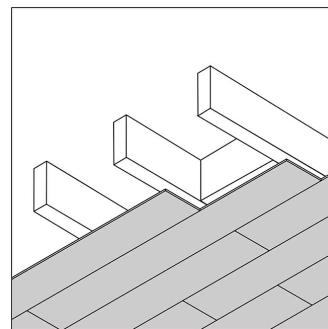
**System ceiling**



**Plasterboard**



**Stucanet**



**Wood**

**CARREE X LED 3033 S1**  
202 20 28122

**Related references**

**LED POWER SUPPLIES**

[Weblink / Specs sheet](#)

LED POWER CONVERTOR 24V-DC TO 350mA / 15W  
300 2415 350  
Number of luminaires: 2

[Weblink / Specs sheet](#)

LED POWER CONVERTOR 24V-DC TO MULTI CURRENT 48W DIM9  
300 90 67  
Number of luminaires: 3 x 2

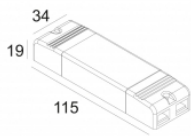
[Weblink / Specs sheet](#)

LED POWER SUPPLY 350mA-DC / 15W  
300 90 91  
110-240V / 50-60Hz  
Number of luminaires: 2(1)

[Weblink / Specs sheet](#)

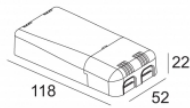
LED POWER SUPPLY 350mA-DC / 16W DIM8  
300 90 3112  
110-240V / 50-60Hz  
Number of luminaires: 2

[Weblink / Specs sheet](#)



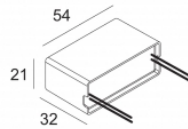
LED POWER SUPPLY 350mA-DC / 17W  
300 90 913  
110-240V / 50-60Hz  
Number of luminaires: 2(1)

[Weblink / Specs sheet](#)



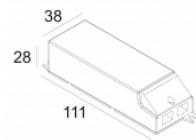
LED POWER SUPPLY 350mA-DC / 18W DIM8  
300 90 116  
220-240V / 50-60Hz  
Number of luminaires: min.2 - max.2

[Weblink / Specs sheet](#)



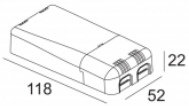
LED POWER SUPPLY 350mA-DC / 8W  
300 90 108  
110-240V / 0|50-60Hz  
Number of luminaires: 1

[Weblink / Specs sheet](#)



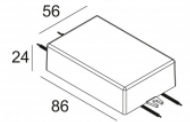
LED POWER SUPPLY 500mA-DC / 20W  
300 90 92  
110-240V / 0|50-60Hz  
Number of luminaires: 1

[Weblink / Specs sheet](#)



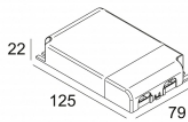
LED POWER SUPPLY 500mA-DC / 20W DIM8  
300 90 117  
220-240V / 50-60Hz  
Number of luminaires: 1

[Weblink / Specs sheet](#)



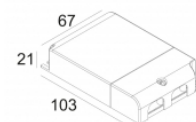
LED POWER SUPPLY 500mA-DC / 32W DIM8  
300 90 5120  
110-240V / 50-60Hz  
Number of luminaires: min.2 - max.2

[Weblink / Specs sheet](#)



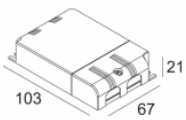
LED POWER SUPPLY MULTI-POWER  
300 90 914  
110-240V / 50-60Hz  
Number of luminaires: 3 / 3 / - / -

[Weblink / Specs sheet](#)



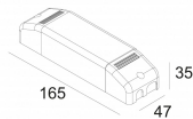
LED POWER SUPPLY MULTI-POWER DIM1  
300 90 64  
110-240V / 0|50-60Hz  
Number of luminaires: 2(1) / 2(1) / -

[Weblink / Specs sheet](#)



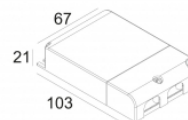
LED POWER SUPPLY MULTI-POWER DIM5  
300 90 68  
110-240V / 50-60Hz  
Number of luminaires: 1 / 2(1) / - / -

[Weblink / Specs sheet](#)



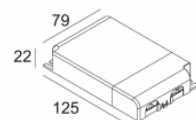
LED POWER SUPPLY MULTI-POWER DIM6  
300 90 61  
220-240V / 50-60Hz  
Number of luminaires: 1 / 1 / -

[Weblink / Specs sheet](#)



LED POWER SUPPLY MULTI-POWER DIM7  
300 90 60  
110-240V / 50-60Hz  
Number of luminaires: 1 / 1 / -

[Weblink / Specs sheet](#)



LED POWER SUPPLY MULTI-POWER DIM9  
300 90 63  
110-240V / 0|50-60Hz  
Number of luminaires: 3 / 3 / - / -

CARREE X LED 3033 S1  
202 20 28122

## Project picture

