

## PRODUCT DATA SHEET

### Alfa



#### DESIGN BY:

Sergio Mazza  
1959

#### MATERIALS:

Opaque Nickel-plate

#### DESCRIPTION:

Metal structure in opaque nickel-plate; diffuser in crystal glass; base in marble. The metal parts are hand turned.

#### SELECT

HALO

Base

White

#### PRODUCT CODE

0026010A

#### Light emission



Dimmable

#### TECHNICAL DATA SHEET

#### FEATURES

Product name:	Alfa
Article Code:	0026010A
Colour:	White
Material:	Opaque Nickel-plate
Series:	Design, Modern Classic
Environment:	Indoor
Area contract:	Private Residence

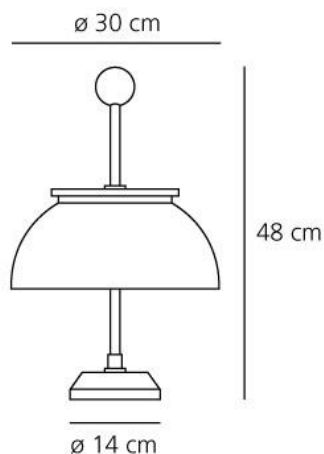
#### OPTICS

Emission:	Diffused And Direct
-----------	---------------------

#### DIMENSIONS

Height:	cm 48
Diameter:	cm 30
Base Diameter:	cm 14
Impact Resistance:	N.D.
Glow Wire Test:	N.D.

#### DIMENSIONS



#### LAMPS NOT INCLUDED

	Category:	HALO
	Number:	2
	Lbs:	D45
	Watt:	28W
	Socket:	E14
	Type:	lbp/w
	Luminous Flux (lm):	345lm
	Colour Rendering:	1a
	Colour temperature (K):	2800K
	Duration (h):	1000h

#### COLOUR



#### LUMINAIR

Watt:	56W
Voltage:	220V-240V

