

FLOS

MINI KELVIN LED


Mounting	Table
Lamps description	36 TOP LED 3000K 216lm total CRI80 - 4W dimming
Environment	Indoor
Finish	Chrome
Technical description	Table lamp providing direct light. Head in pressofused aluminium, diffuser in photo-engraved methacrylate with aluminium surround. Power pack on plug, base in pressofused zamak. Directionable head. ON/OFF switch with Soft Touch technology and light flow adjustment to 2 intensities (100% - 50% - 0%). Power pack on plug with interchangeable plugs.



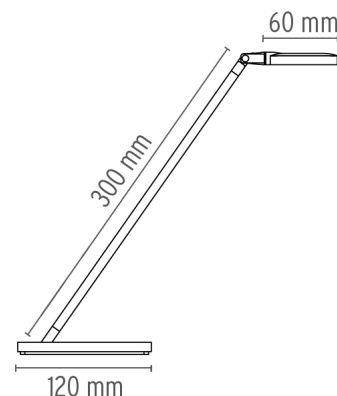
Mini Kelvin LED

designed by Antonio Citterio

Table lamp providing direct light.

 F4180057 Chrome

DIMENSIONS



ELECTRICAL

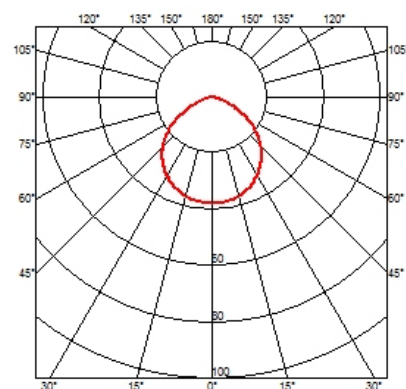
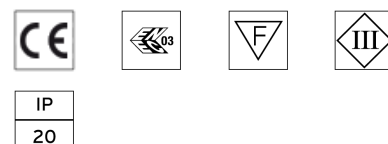
Emergency Without

PHYSICAL

Supply	Power pack on plug
Construction material	Aluminum
Weight (kg)	0.8



CERTIFICATIONS



FLOS

Mini Kelvin LED . Lamps



36 TOP LED 3000K 216lm
total CRI80 - 4W dimming

Lamp wattage:

4 W

Lamp category:

LED

Socket:

Special base

Color temperature (K):

3000 °K

Lamp type:

TOP LED



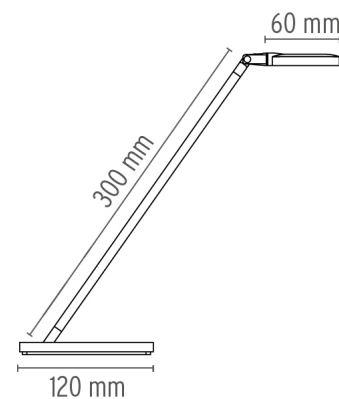
Mini Kelvin LED

designed by Antonio Citterio

Table lamp providing direct light.

● F4180057 Chrome

DIMENSIONS



CERTIFICATIONS

