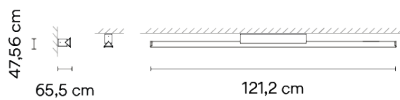


Design By Ramos & Bassols

The Spa wall or ceiling lamp projects a bright glare-free light thanks to the subtle fluted effect of its shade. The aluminium frame has a wide range of finishes to adapt to different interior designs.

Model Sheet



Finish

25 Beige D1
NCS S 4005-Y50R

11 Black
NCS S 8500-N

23 Warm White
NCS S 0502-Y50R

LED

2700 K / 3500 K

Control

Casambi / DALI / 1-10V

Electrical connection Remote basic

Light source

1 x LED STRIP 10,8W 600mA



LED

CRI>90 1560 lm 144
2700 K / 3500 K

Driver

Constant Current 600 mA 220~240
V 50~60 Hz

Dimmable LED 50-60Hz 1-10V

Application

Ceiling

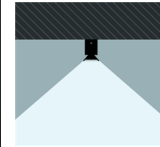
Packaging

1 Box
1.5 m x 0.1 m x 0.1 m
Gross weight 3 kg
Net weight 1.8 kg
Vol. 0.015 m³

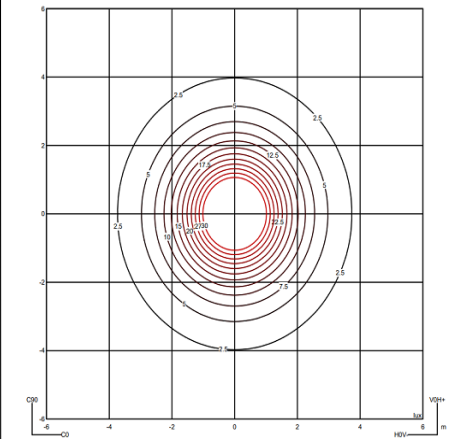
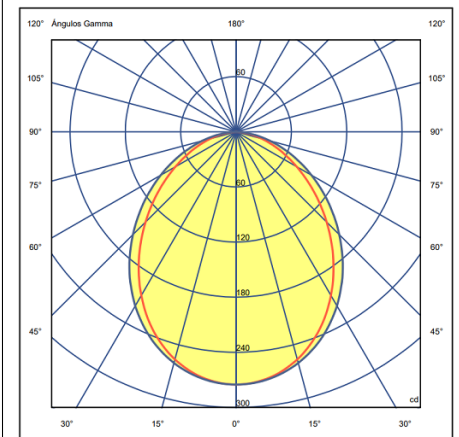
Lighting effect

Linear

Linear lighting applications for functional and graphic illumination



Photometric Data



Efficiency 61.06 lm/W
Coordinate System CG
Total Flux 644.16 lm
Maximum Value 275.08 cd

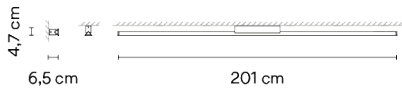
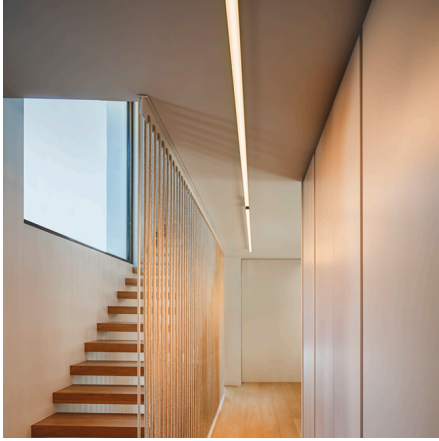
Min. quantity, upcharge and extra lead time apply

All of our products come with a five-year warranty. Check our legal terms at www.vibia.com/warranty

Design By Ramos & Bassols

The Spa wall or ceiling lamp projects a bright glare-free light thanks to the subtle fluted effect of its shade. The aluminium frame has a wide range of finishes to adapt to different interior designs.

Model Sheet



Finish

25 Beige D1
NCS S 4005-Y50R

23 Warm White
NCS S 0502-Y50R

11 Black
NCS S 8500-N

LED

2700 K / 3500 K

Control

DALI / Casambi / 1-10V

Electrical connection Remote basic

Light source

1 x LED STRIP 21,6W 600mA



LED

CRI>90 2560 lm 119
2700 K / 3500 K

Driver

600 mA 220-240 V 50-60 Hz

Dimmable LED 50-60Hz 1-10V

Application

Ceiling

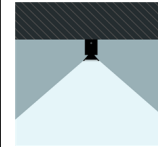
Packaging

1 Box
2.3 m x 0.1 m x 0.1 m
Gross weight 4.2 kg
Net weight 2.6 kg
Vol. 0.023 m³

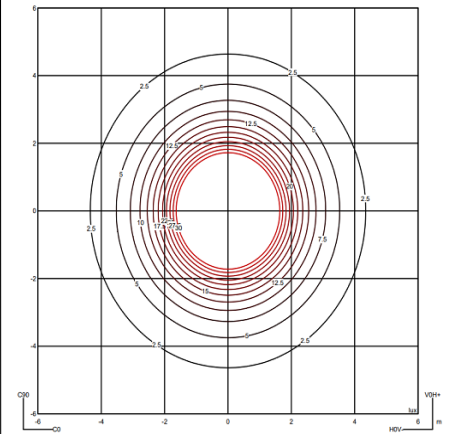
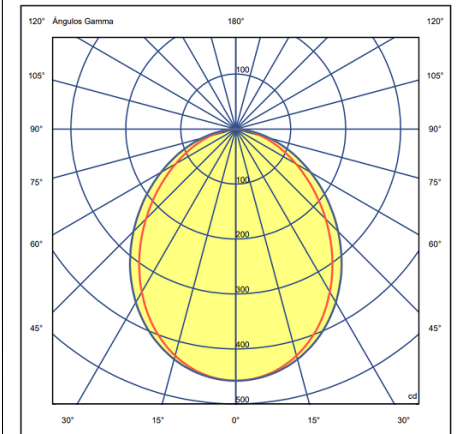
Lighting effect

Linear

Linear lighting applications for functional and graphic illumination



Photometric Data



Efficiency 60.77 lm/W
Coordinate System CG
Total Flux 1071.98 lm
Maximum Value 457.78 cd

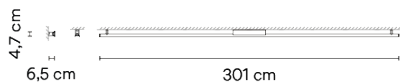
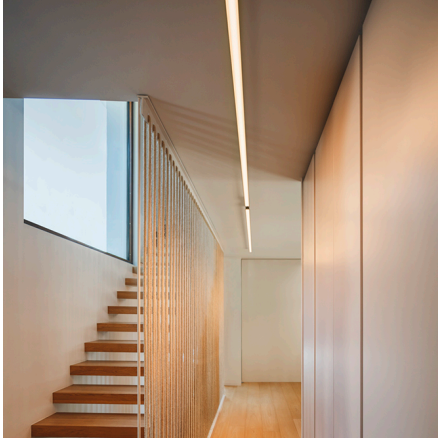
Min. quantity, upcharge and extra lead time apply

All of our products come with a five-year warranty. Check our legal terms at www.vibia.com/warranty

Design By Ramos & Bassols

The Spa wall or ceiling lamp projects a bright glare-free light thanks to the subtle fluted effect of its shade. The aluminium frame has a wide range of finishes to adapt to different interior designs.

Model Sheet



Finish

- 11 Black
NCS S 8500-N
- 25 Beige D1
NCS S 4005-Y50R
- 23 Warm White
NCS S 0502-Y50R

LED

2700 K / 3500 K

Control

1-10V / Casambi / DALI

Electrical connection Remote basic

Light source

1 x LED STRIP 32,4W 600mA



LED

CRI>90 3840 lm 119
2700 K / 3500 K

Driver

600 mA 220~240 V 50~60 Hz



Application

Ceiling

Packaging

1 Box
3.3 m x 0.1 m x 0.1 m
Gross weight 5.8 kg
Net weight 3.6 kg
Vol. 0.033 m³

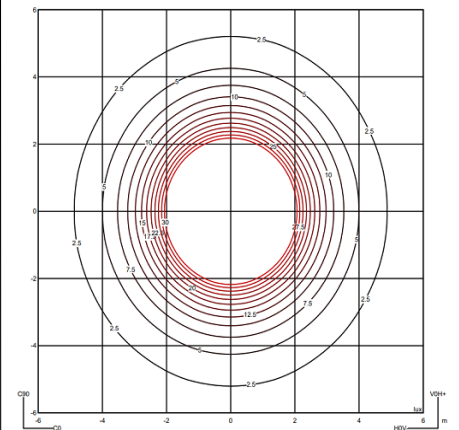
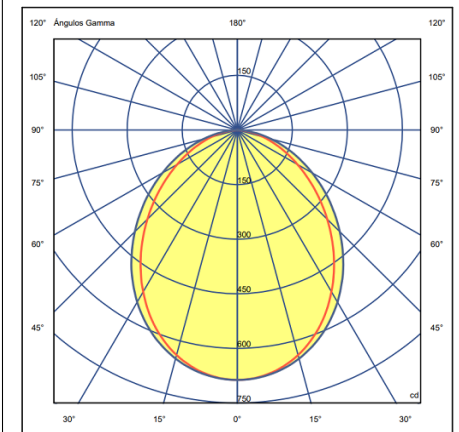
Lighting effect

Linear

Linear lighting applications for functional and graphic illumination



Photometric Data



Efficiency 60.77 lm/W
Coordinate System CG
Total Flux 1607.97 lm
Maximum Value 686.66 cd

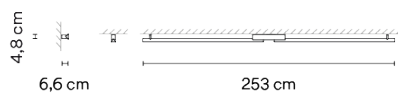
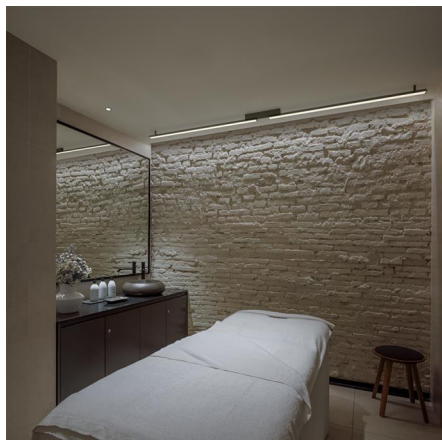
Min. quantity, upcharge and extra lead time apply

All of our products come with a five-year warranty. Check our legal terms at www.vibia.com/warranty

Design By Ramos & Bassols

The Spa wall or ceiling lamp is suitable for damp areas. Its versatile system enables the luminaries to be placed in a line to illuminate up to two metres and a half of wall or ceiling space.

Model Sheet



Finish

23 Warm White
NCS S 0502-Y50R

11 Black
NCS S 8500-N

25 Beige D1
NCS S 4005-Y50R

LED

2700 K / 3500 K

Control

Casambi / 1-10V / DALI

Electrical connection Remote basic / Surface Canopy

Light source

2 x LED STRIP 10,8W 600mA

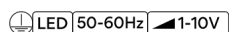


LED

CRI>90 3120 lm 144
2700 K / 3500 K

Driver

Constant Current 600 mA 220~240
V 50~60 Hz



Application

Ceiling

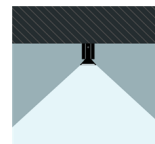
Packaging

1 Box
1.5 m x 0.1 m x 0.1 m
Gross weight 2.9 kg
Net weight 1.8 kg
Vol. 0.015 m³

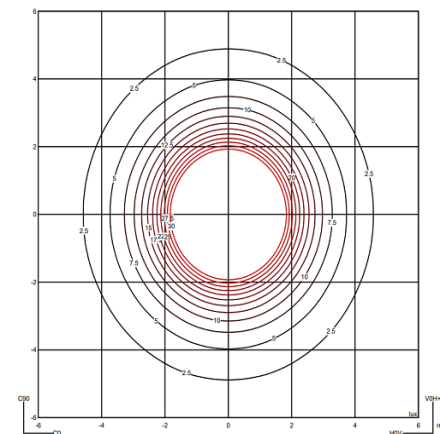
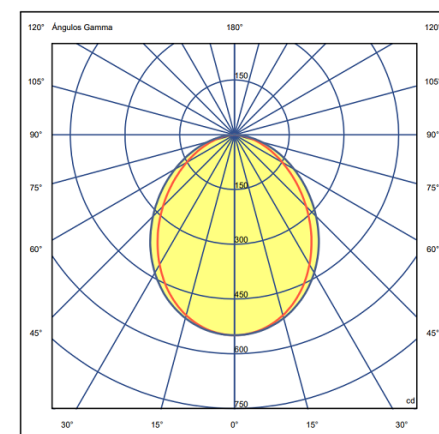
Lighting effect

Linear

Linear lighting applications for functional and graphic illumination



Photometric Data



Efficiency 60.79 lm/W
Coordinate System CG
Total Flux 1286.38 lm
Maximum Value 549.33 cd

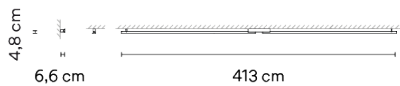
Min. quantity, upcharge and extra lead time apply

All of our products come with a five-year warranty. Check our legal terms at www.vibia.com/warranty

Design By Ramos & Bassols

The Spa wall or ceiling lamp is suitable for damp areas. Its versatile system enables the luminaries to be placed in a line to illuminate four metres and a half of wall or ceiling space.

Model Sheet



Finish

23 Warm White
NCS S 0502-Y50R

11 Black
NCS S 8500-N

25 Beige D1
NCS S 4005-Y50R

LED 2700 K / 3500 K

Control Casambi / DALI / 1-10V

Electrical connection Remote basic / Surface Canopy

Light source 2 x LED STRIP 21,6W 600mA



LED CRI>90 5120 lm 119
2700 K / 3500 K

Driver Constant Current 1200 mA 220-240
V 50-60 Hz

Dimmable 50-60Hz 1-10V

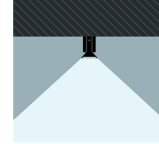
Application Ceiling

Packaging 1 Box
2,3 m x 0,1 m x 0,1 m
Gross weight 4,2 kg
Net weight 2,6 kg
Vol. 0,023 m³

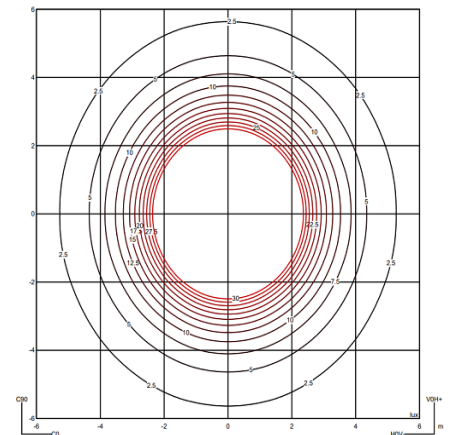
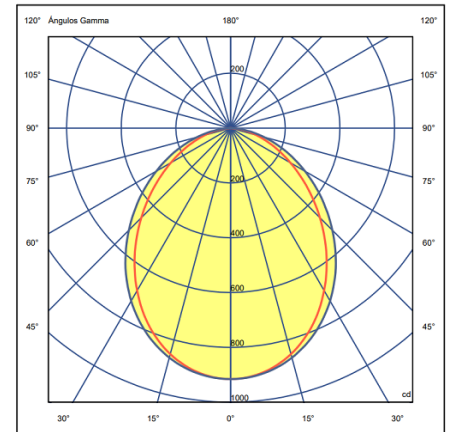
Lighting effect

Linear

Linear lighting applications for functional and graphic illumination



Photometric Data



Efficiency 60.77 lm/W
Coordinate System CG
Total Flux 2143.97 lm
Maximum Value 915.55 cd

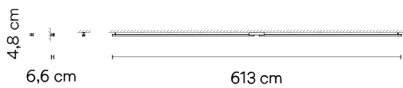
Min. quantity, upcharge and extra lead time apply

All of our products come with a five-year warranty. Check our legal terms at www.vibia.com/warranty

Design By Ramos & Bassols

The Spa wall or ceiling lamp is suitable for damp areas. Its versatile system enables the luminaries to be placed in a line to illuminate up to six metres of wall or ceiling space.

Model Sheet



Finish

- 11 Black
NCS S 8500-N
- 25 Beige D1
NCS S 4005-Y50R
- 23 Warm White
NCS S 0502-Y50R

LED 2700 K / 3500 K

Control DALI / 1-10V

Light source 2 x LED STRIP 32,4W 600mA



LED CRI>90 9637 lm 138
2700 K / 3500 K

Driver Constant Current 600 mA 220~240 V
50~60 Hz

Dimmable LED 50-60Hz 1-10V

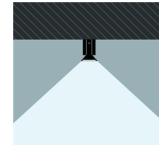
Application Ceiling

Packaging 3 Box
3.3 m x 0.1 m x 0.1 m
Gross weight 12.5 kg
Net weight 7.6 kg
Vol. 0.0749 m³

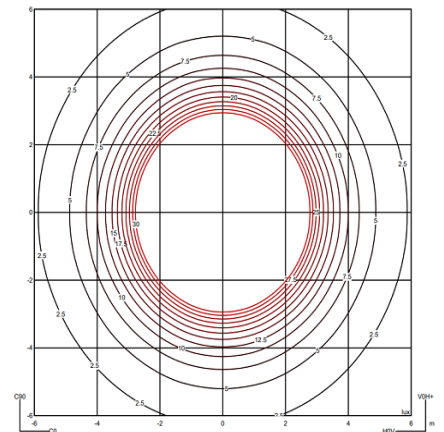
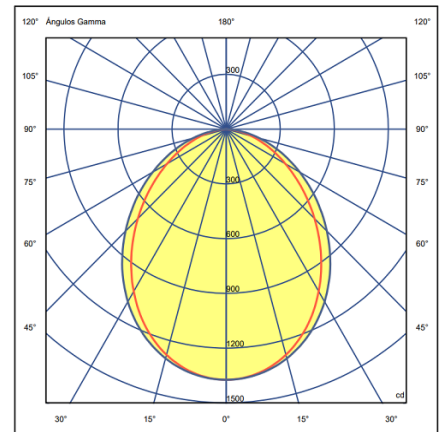
Lighting effect

Linear

Linear lighting applications for functional and graphic illumination



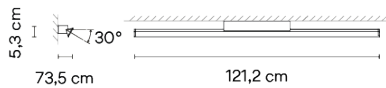
Photometric Data



Design By Ramos & Bassols

The Spa vanity light is distinguished by its minimalist, refined forms. Thanks to its linear LED profile, the light can be oriented in the desired direction.

Model Sheet



Finish

25 Beige D1
NCS S 4005-Y50R

11 Black
NCS S 8500-N

23 Warm White
NCS S 0502-Y50R

LED 2700 K / 3500 K

Control DALI / Casambi

Electrical connection Remote basic / Surface Canopy

Light source 1 x LED STRIP 10,8W 600mA



LED CRI>90 1560 lm 144
2700 K / 3500 K

Driver Constant Current 600 mA 220~240
V 50~60 Hz

Dimmable LED 50-60Hz

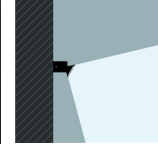
Application Wall

Packaging 1 Box
1.5 m x 0.1 m x 0.1 m
Gross weight 3 kg
Net weight 1.8 kg
Vol. 0.015 m³

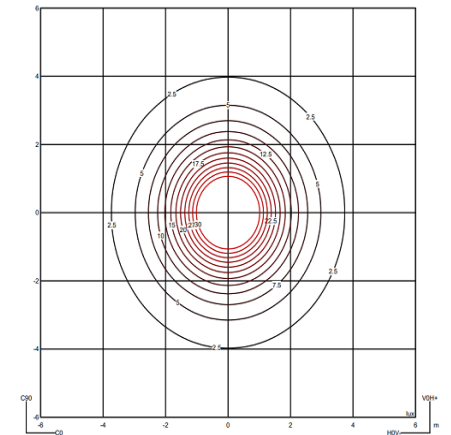
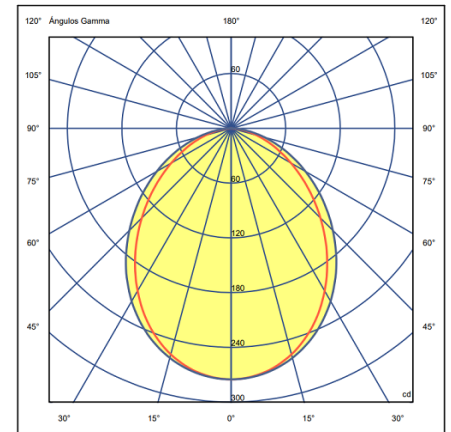
Lighting effect

Linear

Linear lighting applications for functional and graphic illumination



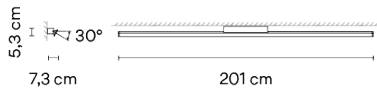
Photometric Data



Design By Ramos & Bassols

The Spa vanity light is distinguished by its minimalist, refined forms. Thanks to its linear LED profile, the light can be oriented in the desired direction.

Model Sheet



Min. quantity, upcharge and extra lead time apply

Finish

- 11 Black
NCS S 8500-N
- 25 Beige D1
NCS S 4005-Y50R
- 23 Warm White
NCS S 0502-Y50R

LED

2700 K / 3500 K

Control

Casambi / DALI

Electrical connection Remote basic / Surface Canopy

Light source

1 x LED STRIP 21,6W 600mA

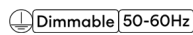


LED

CRI>90 2560 lm 119
2700 K / 3500 K

Driver

Constant Current 600 mA 220~240
V 50~60 Hz



Application

Wall

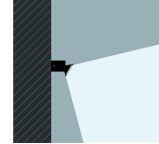
Packaging

1 Box
2.3 m x 0.1 m x 0.1 m
Gross weight 4.2 kg
Net weight 2.6 kg
Vol. 0.023 m³

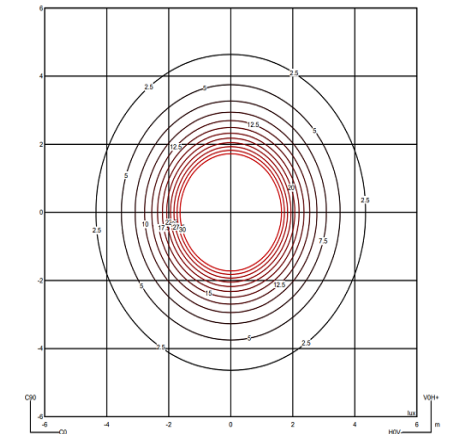
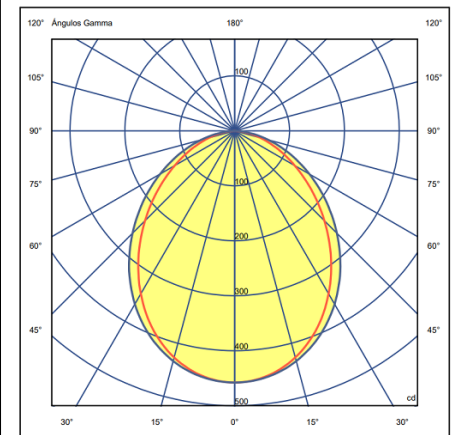
Lighting effect

Linear

Linear lighting applications for functional and graphic illumination



Photometric Data



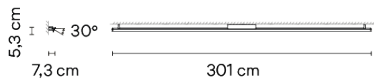
Efficiency 60.77 lm/W
Coordinate System CG
Total Flux 1071.98 lm
Maximum Value 457.78 cd

All of our products come with a five-year warranty. Check our legal terms at www.vibia.com/warranty

Design By Ramos & Bassols

The Spa vanity light is distinguished by its minimalist, refined forms. Thanks to its linear LED profile, the light can be oriented in the desired direction.

Model Sheet



Finish

25 Beige D1
NCS S 4005-Y50R

11 Black
NCS S 8500-N

23 Warm White
NCS S 0502-Y50R

LED

2700 K / 3500 K

Control

Casambi / DALI

Electrical connection Remote basic / Surface Canopy

Light source

1 x LED STRIP 32,4W 600mA



LED

CRI>90 3840 lm 119
2700 K / 3500 K

Driver

Constant Current [Object Object] mA
220~240 V 50~60 Hz

Dimmable LED 50-60Hz

Application

Wall

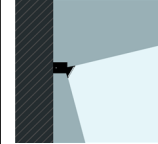
Packaging

1 Box
3.3 m x 0.1 m x 0.1 m
Gross weight 5.8 kg
Net weight 3.6 kg
Vol. 0.033 m³

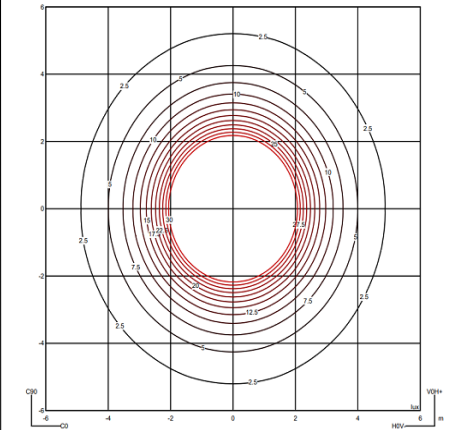
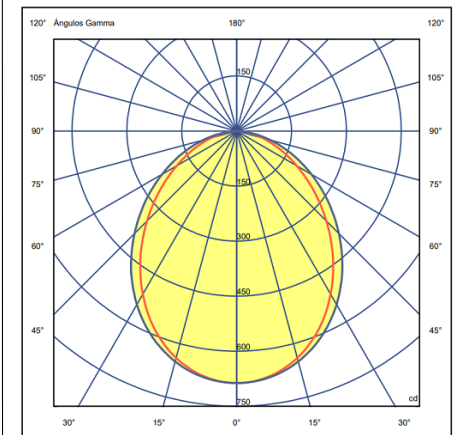
Lighting effect

Linear

Linear lighting applications for functional and graphic illumination



Photometric Data



Efficiency 60.77 lm/W
Coordinate System CG
Total Flux 1607.97 lm
Maximum Value 686.66 cd

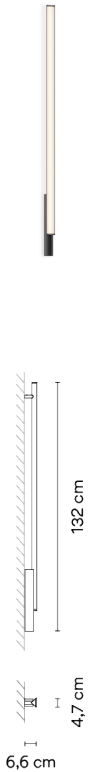
Min. quantity, upcharge and extra lead time apply

All of our products come with a five-year warranty. Check our legal terms at www.vibia.com/warranty

Design By Ramos & Bassols

The Spa wall lamp is ideal for damp areas. The softness of polycarbonate and its linear grooves contrast with the matt texture of the aluminium frame.

Model Sheet



Finish

- 11 Black
NCS S 8500-N
- 23 Warm White
NCS S 0502-Y50R
- 25 Beige D1
NCS S 4005-Y50R

LED 2700 K / 3500 K

Control 1-10V / DALI / Casambi

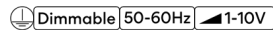
Electrical connection Remote basic / Surface Canopy

Light source 1 x LED STRIP 10,8W 600mA



LED CRI>90 1560 lm 144
2700 K / 3500 K

Driver Constant Current 600 mA 220~240
V 50~60 Hz



Application Wall

Packaging 1 Box
1.5 m x 0.1 m x 0.1 m
Gross weight 3 kg
Net weight 1.8 kg
Vol. 0.015 m³

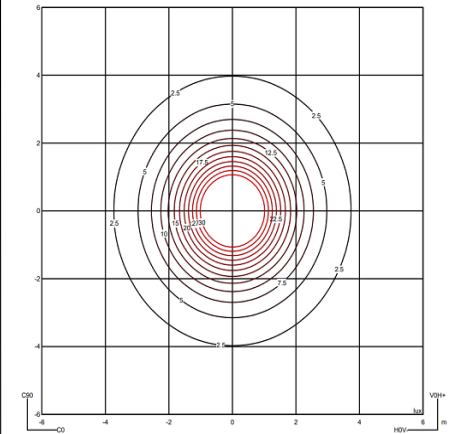
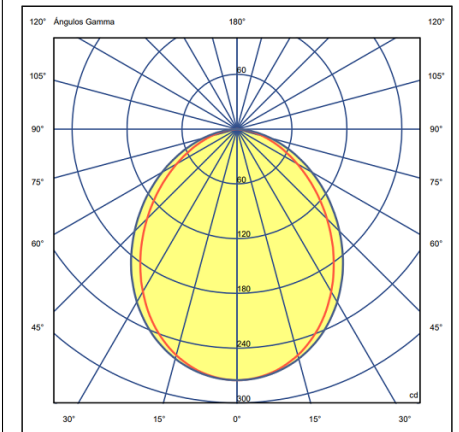
Lighting effect

Linear

Linear lighting applications for functional and graphic illumination



Photometric Data



Efficiency 60.77 lm/W
Coordinate System CG
Total Flux 644.16 lm
Maximum Value 275.08 cd

Min. quantity, upcharge and extra lead time apply

All of our products come with a five-year warranty. Check our legal terms at www.vibia.com/warranty

Design By Ramos & Bassols

The Spa wall lamp is ideal for damp areas. The softness of polycarbonate and its linear grooves contrast with the matt texture of the aluminium frame.

Model Sheet



Finish

25 Beige D1
NCS S 4005-Y50R

11 Black
NCS S 8500-N

23 Warm White
NCS S 0502-Y50R

LED 2700 K / 3500 K

Control Casambi / 1-10V / DALI

Electrical connection Remote basic

Light source 1 x LED STRIP 21,6W 600mA



LED CRI>90 2560 lm 119
2700 K / 3500 K

Driver Constant Current 600 mA 220~240
V 50~60 Hz

Dimmable LED 50-60Hz 1-10V

Application Wall

Packaging 1 Box
2.3 m x 0.1 m x 0.1 m
Gross weight 1 kg
Net weight 1 kg
Vol. 0.023 m³

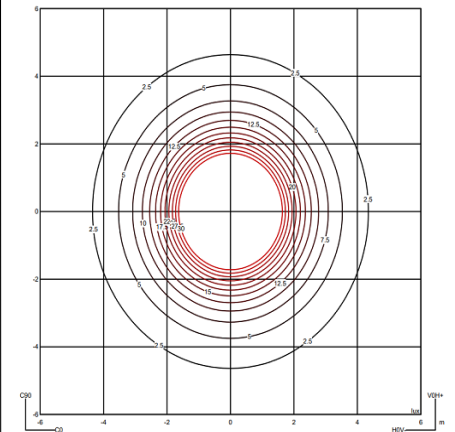
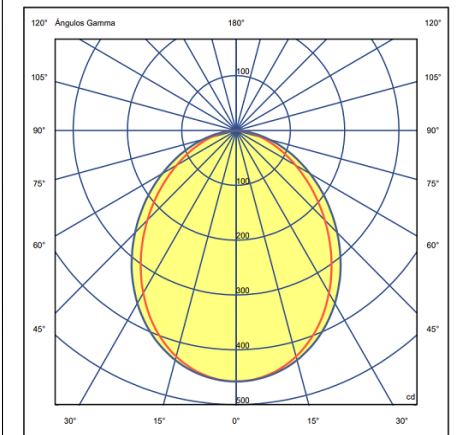
Lighting effect

Linear

Linear lighting applications for functional and graphic illumination



Photometric Data



Efficiency 60.77 lm/W
Coordinate System CG
Total Flux 1071.98 lm
Maximum Value 457.78 cd

Min. quantity, upcharge and extra lead time apply

All of our products come with a five-year warranty. Check our legal terms at www.vibia.com/warranty