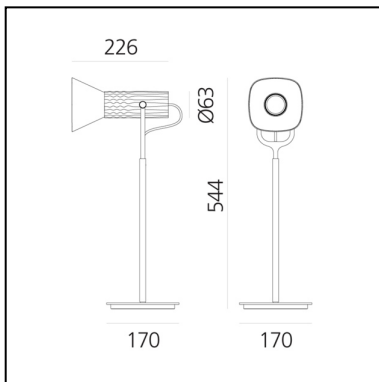


# Fiamma Table - Black

Wilmotte & Industries



IP20  



## LUMINAIRE

- Watt: **8W**
- Voltage: **220-240V**
- Delivered lumen output: **332lm**
- CCT: **3000K**
- Efficiency: **95%**
- Efficacy: **67lm/W**
- CRI: **80**

## DESCRIPTION

"Modular and adjustable, Fiamma works with a LED source base and a set of accessories to meet the different needs of lighting in hotels: bedside lamp, floor lamp, wall lamp, suspension light. The look is willing to be « domestic », to feel like being at home, in order to reinforce the cosiness of the object." Fiamma is a systemic lighting element designed to respond to the needs of the contract sector, yet well suited also for everyday living environments. An anodized aluminium cylinder with a specific texture - a perfect combination of look and functionality - is the true luminous engine of the system. The light emitted by the LED source is cleverly controlled by a transparent diffuser, designed with an anti-reflex texture, to ensure visual comfort in all usage conditions. Different supports can be assembled on it, all made of carefully processed aluminium, to obtain a variety of versions - suspension, ceiling, reading, table.

## FEATURES

- Product Code: **1983020A**
- Colour: **Black**
- Installation: **Table**
- Material: **Polycarbonate, aluminum, steel**
- Series: **Scenarios**
- design by: **Wilmotte & Industries**

## DIMENSIONS

- Length: **128 mm**
- Width: **226 mm**
- Height: **544 mm**
- Base Length: **170 mm**
- Base Width: **170 mm**
- Glow Wire Test: **850°**

## SOURCES NOT INCLUDED

- Category: **LED RETROFIT**
- Number: **1**
- Watt: **8W**
- Socket: **GU10**
- Voltage: **230V**