

Date _____

Name _____

Client _____

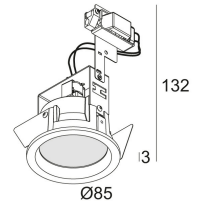
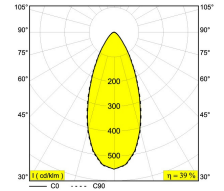
Project Name _____


Quote# _____

Type/Quantity _____

DIRO GT
202 34 12

[Weblink](#)

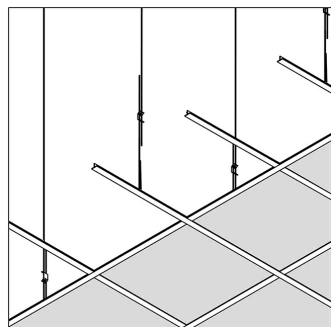


Cutout shape/size:	⊘ 76 mm
Recessed depth (mm):	115 mm
Available colors:	ALU GREY (202 34 12 A) WHITE (202 34 12 W)
FIXED	
GX5.3 // 12V // EXCL.TRANSFO	
 1 x QR-C51 max.50W	
Class:	III
Weight:	0.3 KG
Protection level:	IP44/20
Minimum distance:	0,5m
Remarks:	WHITE finish : max. 35W
Options:	TRANSFO

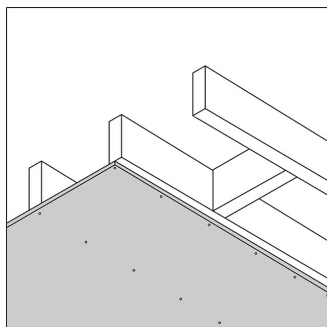
For detailed installation instructions, please consult the manual. [202_34_12_HAND.pdf](#)

DIRO GT
202 34 12

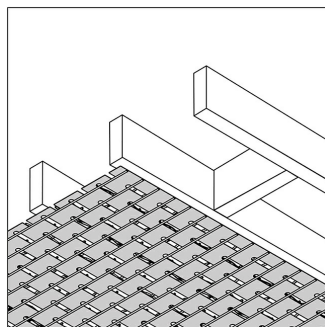
Ceiling compatibility



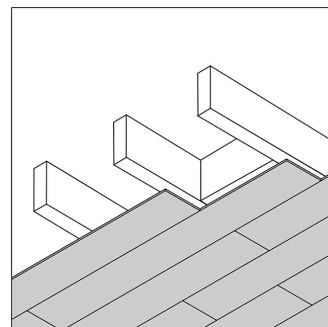
System ceiling



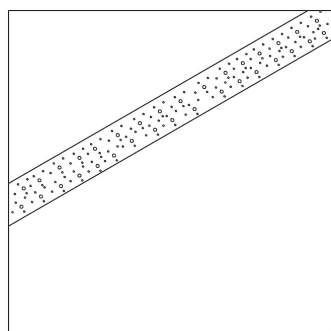
Plasterboard



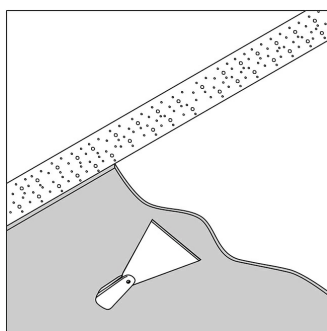
Stucanet



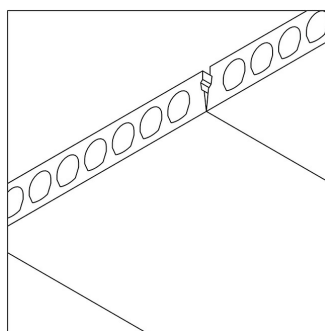
Wood



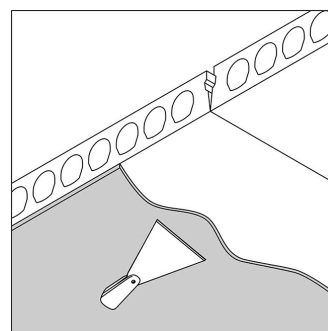
Concrete



Concrete + plaster

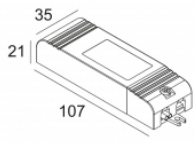


Hollow-core slab



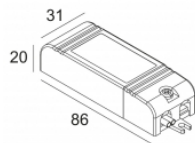
Hollow-core slab +
plaster

Weblink / Specsheel



TRANSFO 100W
200 46 10
220-240V / 50-60Hz

Weblink / Specsheel



TRANSFO 50W
200 46 06
220-240V / 50-60Hz

DIRO GT
202 34 12

Project picture

