

Date

Name

Client

Project Name

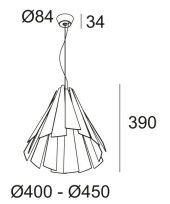
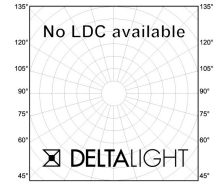
Quote#

Type/Quantity

METRONOME

286 70 27


[Weblink](#)



Available colors: BLACK (286 70 27 B)
 WHITE (286 70 27 W)

INCL.1 x CABLE SUSPENSION 1.6m
INCL.1 x CABLE 2 x 0.75mm²

E27Ls // 100-240V / 50-60Hz

 1 x A60 max.60W

 1 x TCA-SE max.23W

Class: I

Weight: 2.1 KG

Protection level: IP20

Minimum distance: 0,1m

Options: COVERSET R 90-100
 SUSPENSION + CONNECTION TRIMLESS

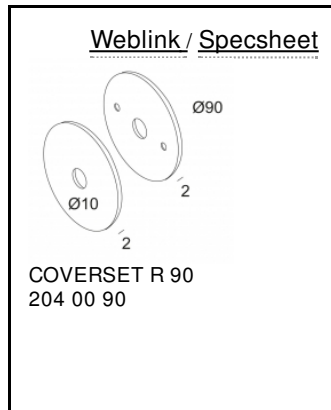
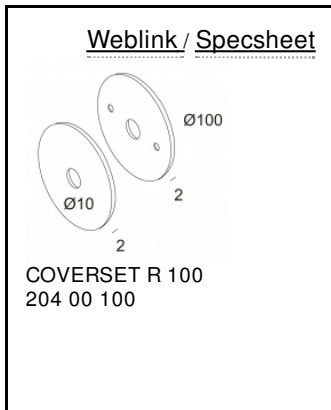
For detailed installation instructions, please consult the manual. [286 70 27 HAND.pdf](#)

METRONOME

286 70 27

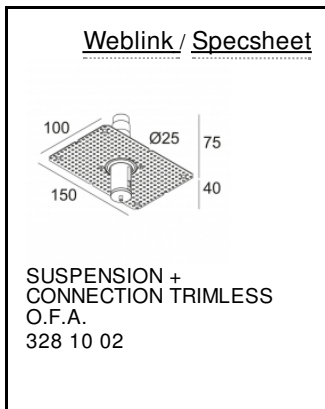
Related references

COVERSETS



Related references

SUSPENSION PARTS



METRONOME
286 70 27

Project picture

