

m o o o i<sup>®</sup>



## Meshmatics Chandelier

---

Playful transparencies cascade through the lamp's ingenious frame, creating shimmering reflections and casting an elaborate net of shadows onto the ceiling.

---

<b>Designer</b>	Rick Tegelaar
<b>Year of design</b>	2017
<b>Material</b>	Galvanised steel, brass

## Technical (ce)



**Input voltage:**

220-240V ~ 50-60Hz

**Power consumption:**

Max 12w

**Colour temperature:**

2700k

**Dimmable:**

Yes (external)

**Lumen:**

665

**Cable length:**

4 or 10m

**Cable colour:**

Transparent

**Canopy:**

Steel pebble

---

# m o o o i<sup>®</sup>

## Technical (ul)

**Input voltage:**

120V ~ 50-60Hz

**Power consumption:**

Max 9w

**Colour temperature:**

2700k

**Dimmable:**

Yes (external)

**Lumen:**

338

**Cable length:**

4 or 10m

**Cable colour:**

Transparent

**Canopy:**

Steel pebble

---

## Recommended dimmer specs

For fluent dimming behaviour we advise a dimmer that is compatible with the following specs:

**Transformer type:** Electronic Low Voltage (ELV)

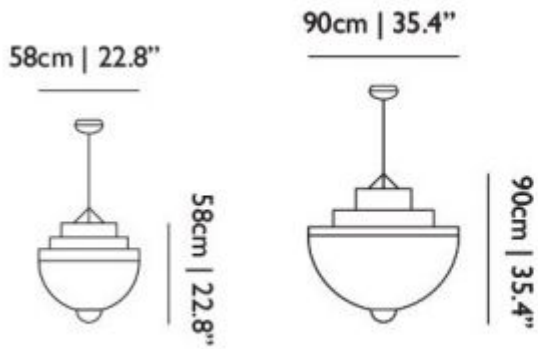
**Load type:** Capacitive load (C-Type)

**Dimmer type:** Trailing edge / Reverse phase

*Please note the functioning of the dimmer and the power supply combination can never be predicted, it always needs to be tested in practice.*

# m o o o i<sup>®</sup>

## Dimensions



---

## packaging

H 101 cm | 39,8"

W 94 cm | 37"

D 93 cm | 36,6"

Colli 1/1

Product weight:

8,5 KG | 18,7 lb

With packaging:

10 KG | 22 lb

m o o o i<sup>®</sup>



## Meshmatics Chandelier Small

---

by Rick Tegelaar

The sophisticated Meshmatics Chandelier is now available in two sizes. The Meshmatics Chandelier Small is made from the same material and in the same way as its elegant big brother, of humble wire netting and with a machine that, with a set of tools, models it with perfect accuracy. The full potential of the material is then stretched and captured within three smaller layers of beauty.

---

**Designer**

Rick Tegelaar

**Year of design**

2019

## Technical (ce)



**Input voltage:**

220-240V ~ 50-60Hz

**Power consumption:**

Max 12w

**Colour temperature:**

2700k

**Dimmable:**

Yes (external)

**Lumen:**

665

**Cable length:**

4 or 10m

**Cable colour:**

Transparent

**Canopy:**

Steel pebble

---

# m o o o i<sup>®</sup>

## Technical (ul)

**Input voltage:**

120V ~ 50-60Hz

**Power consumption:**

Max 9w

**Colour temperature:**

2700k

**Dimmable:**

Yes (external)

**Lumen:**

338

**Cable length:**

4 or 10m

**Cable colour:**

Transparent

**Canopy:**

Steel pebble

---

## Recommended dimmer specs

For fluent dimming behaviour we advise a dimmer that is compatible with the following specs:

**Transformer type:** Electronic Low Voltage (ELV)

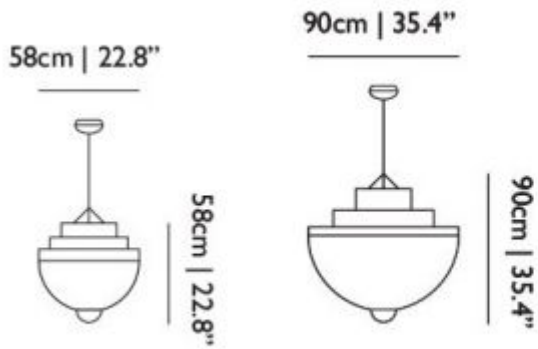
**Load type:** Capacitive load (C-Type)

**Dimmer type:** Trailing edge / Reverse phase

*Please note the functioning of the dimmer and the power supply combination can never be predicted, it always needs to be tested in practice.*

# m o o o i<sup>®</sup>

## Dimensions



---

## Packaging Dimensions

### Meshmatics Chandelier Small

H 80 cm | 31.49"

W 73 cm | 28.74"

L 73 cm | 28.74"

### Total shipping weight:

5KG | 11.02lbs