

Date

---

Name

---

Client

---

Project Name

---

Quote#

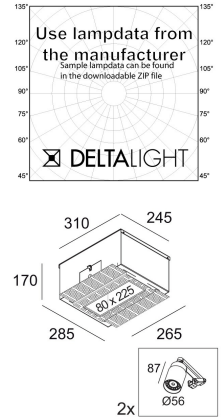
---


Type/Quantity

---

**SPLITBOX 2 + 2 x SPLITBOX SPOT RB50 Hi**  
**417 00 02 + 2 x 417 61 00**

[Weblink](#)



Cutout shape/size:  275 x 150 mm

Recessed depth (mm): 180 mm

Available colors: BLACK + BLACK (417 00 02 B + 2 x 417 61 00 B)  
 BLACK + WHITE (417 00 02 B + 2 x 417 61 00 W)

ADJUSTABLE

GU10 // 100-240V / 50-60Hz

 2 x QPAR51 max.35W

Class: II

Weight: 6 KG

Protection level: IP20

Minimum distance: 0,5m

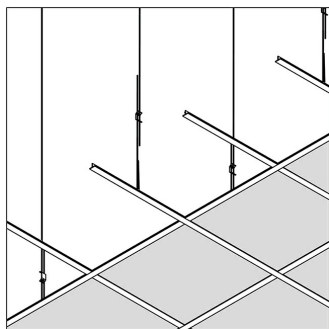
Remarks: Parts to be ordered separately.

Accessories: HONEYCOMB 50  
 LINEAR SPREAD LENS 50  
 SPREAD LENS 50  
 SOFTENING LENS 50  
 GLASS SBL 50

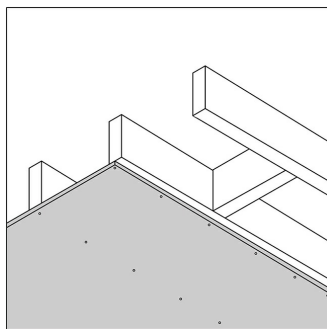
For detailed installation instructions, please consult the manual. [417\\_00\\_02\\_HAND.pdf](#)

**SPLITBOX 2 + 2 x SPLITBOX SPOT RB50 Hi**  
**417 00 02 + 2 x 417 61 00**

**Ceiling compatibility**



**System ceiling**

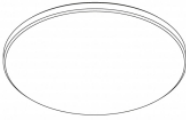
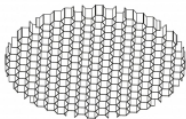

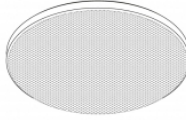


**Plasterboard**

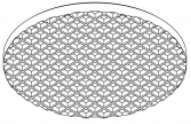
**SPLITBOX 2 + 2 x SPLITBOX SPOT RB50 Hi**  
**417 00 02 + 2 x 417 61 00**

**Related references**

**LIGHT ALTERING DEVICES**

<u>Weblink / Specsheet</u>	<u>Weblink / Specsheet</u>	<u>Weblink / Specsheet</u>	<u>Weblink / Specsheet</u>
 <p>Ø50</p> <p>GLASS SBL 50 413 03 05</p>	 <p>Ø50</p> <p>HONEYCOMB 50 413 03 01</p>	 <p>Ø50</p> <p>LINEAR SPREAD LENS 50 413 03 02</p>	 <p>Ø50</p> <p>SOFTENING LENS 50 413 03 04</p>

Weblink / Specsheet



Ø50

SPREAD LENS 50  
413 03 03

SPLITBOX 2 + 2 x SPLITBOX SPOT RB50 Hi  
**417 00 02 + 2 x 417 61 00**

Project picture

